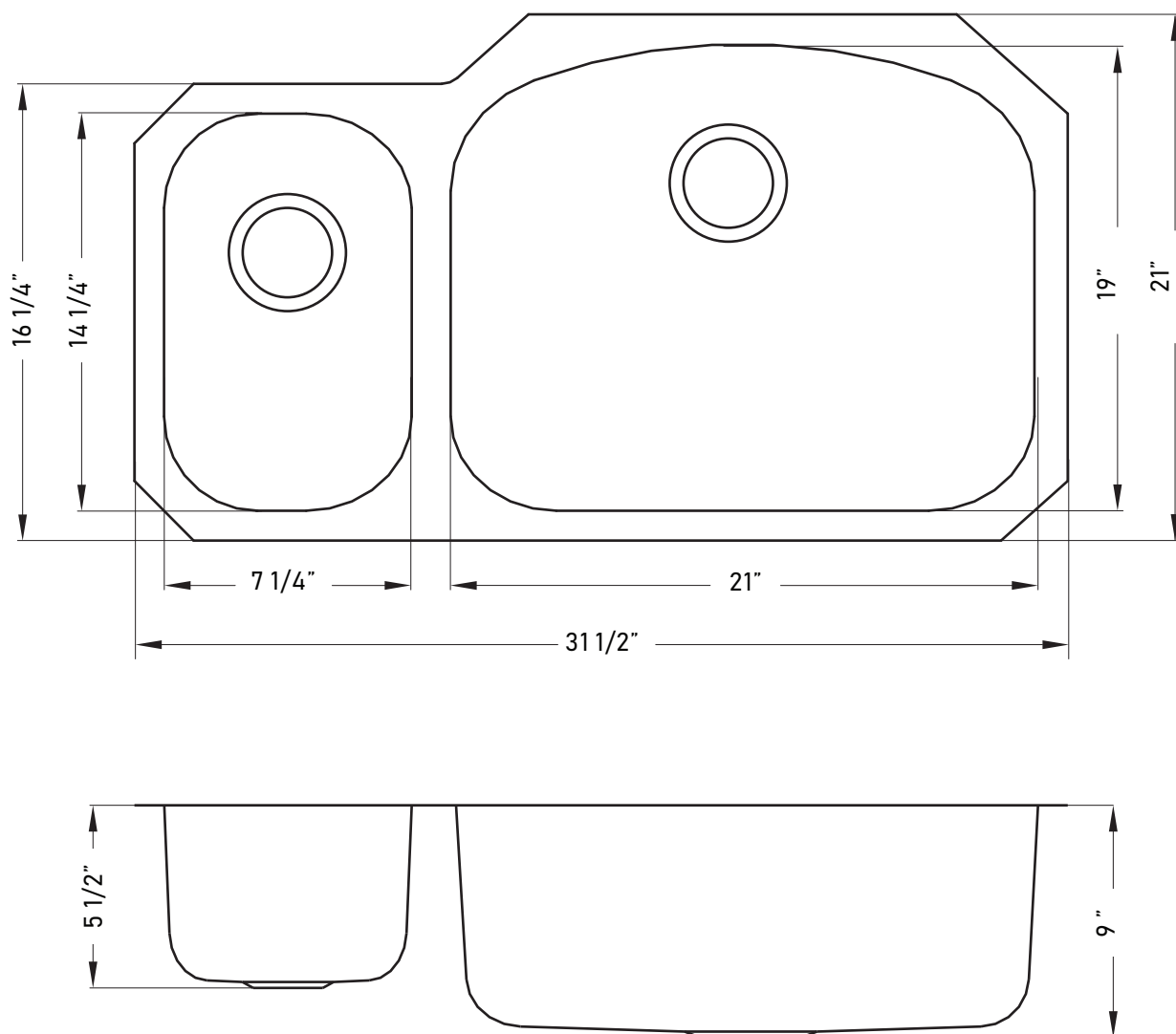


DIMENSIONS/TECHNICAL DATA

Undermount - Offset Double Bowl Stainless Steel Sinks - S653



ATTENTION! Dimensions may vary by up to 3/8". It is highly recommended to pull all dimensions of actual model for installation and measuring purposes.